

INSTRUCTIONS

Bunk Ladder 60" and 66"
(BL200-07 and BL200-08)

PARTS ENCLOSED:

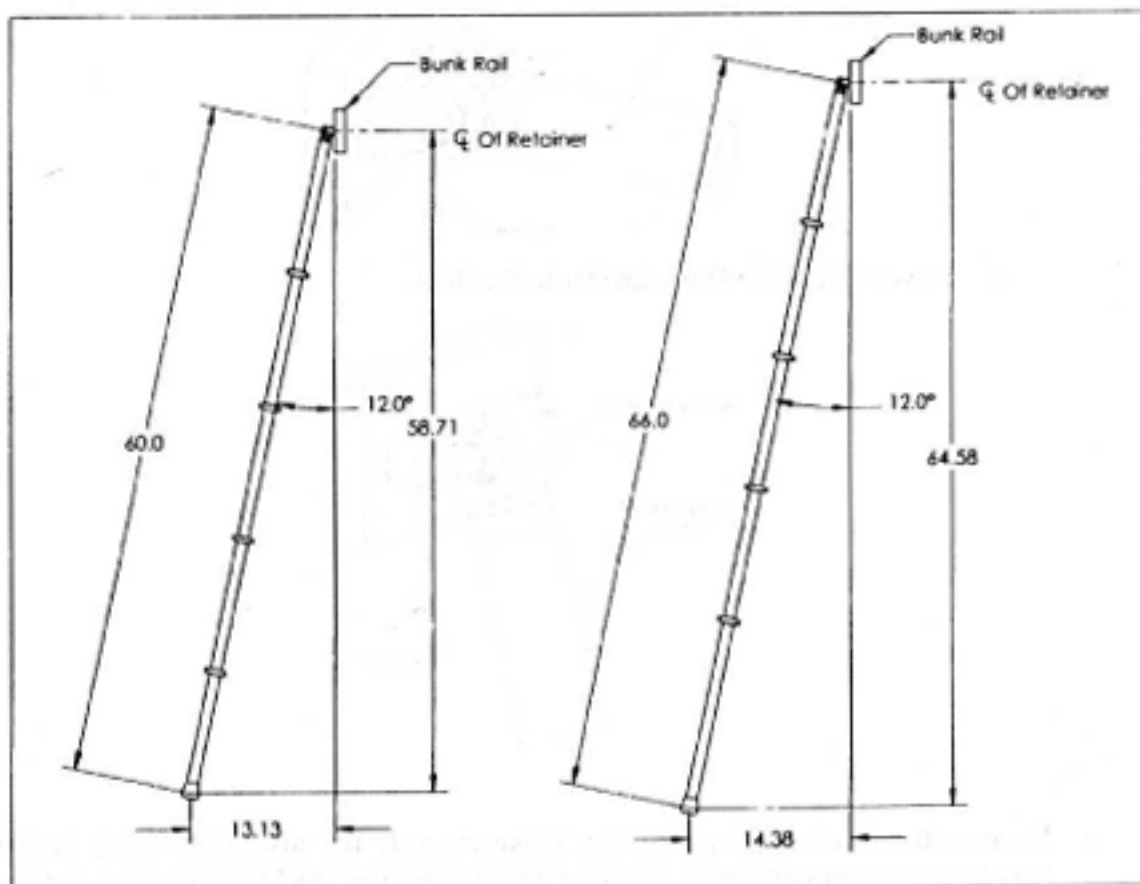
1. One (1) Bunk Ladder 60" or 66"
2. Four (4) screws, #10 x 1" Phillips pan head
3. One (1) Template for the location of the Bunk Ladder Retainers
4. Two (2) Bunk Ladder Retainers

TOOLS REQUIRED:

1. One (1) Phillips Screwdriver
2. One (1) Center Punch

IMPORTANT!

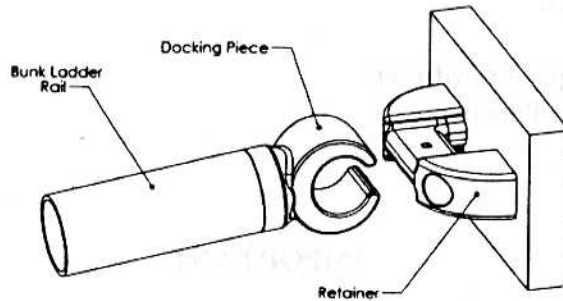
Your Bunk Ladder must be installed so that the ladder angle is 12° from a vertical position. It should be installed so the distance of the ladder legs, resting on the floor, from the bunk rail are as follows:



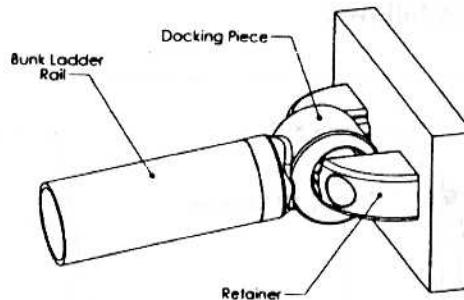
**** Installation Instructions Continued on Back ****

INSTALLATION INSTRUCTIONS

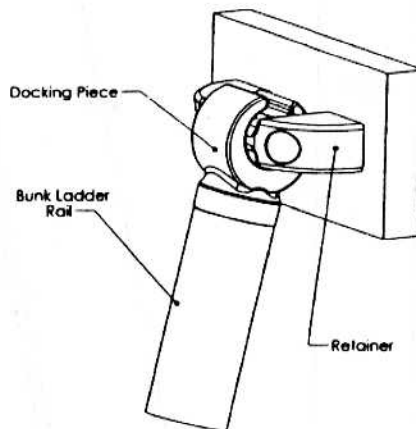
1. Tape the Template to the desired location.
2. Center punch hole locations.
3. Remove the template.
4. Screw the Bunk Ladder Retainers horizontally on the center-punched locations.
5. Mount the Bunk Ladder into the Bunk Ladder Retainers (see illustration below).
CAUTION: Never use the Bunk Ladder unless it is hooked into the Bunk Ladder Retainers installed according to these instructions. To do so could be dangerous!
 - a. Hold the Bunk Ladder parallel to the floor with the Docking Pieces next to the Retainers.



- b. Slide the Docking Pieces over the Retainers. Make sure both Docking Pieces (both rails) are engaged.



- c. Lower feet of the Bunk Ladder to the floor.



6. Remove the Bunk Ladder from the Retainers **only** by raising the Bunk Ladder legs to a position parallel to the floor and pulling the Docking Pieces back from the Retainers. **To do otherwise will cause damage and invalidate the Manufacturer's Limited Warranty.**