

Maggie Rack System

Installation Instructions

Checklist:

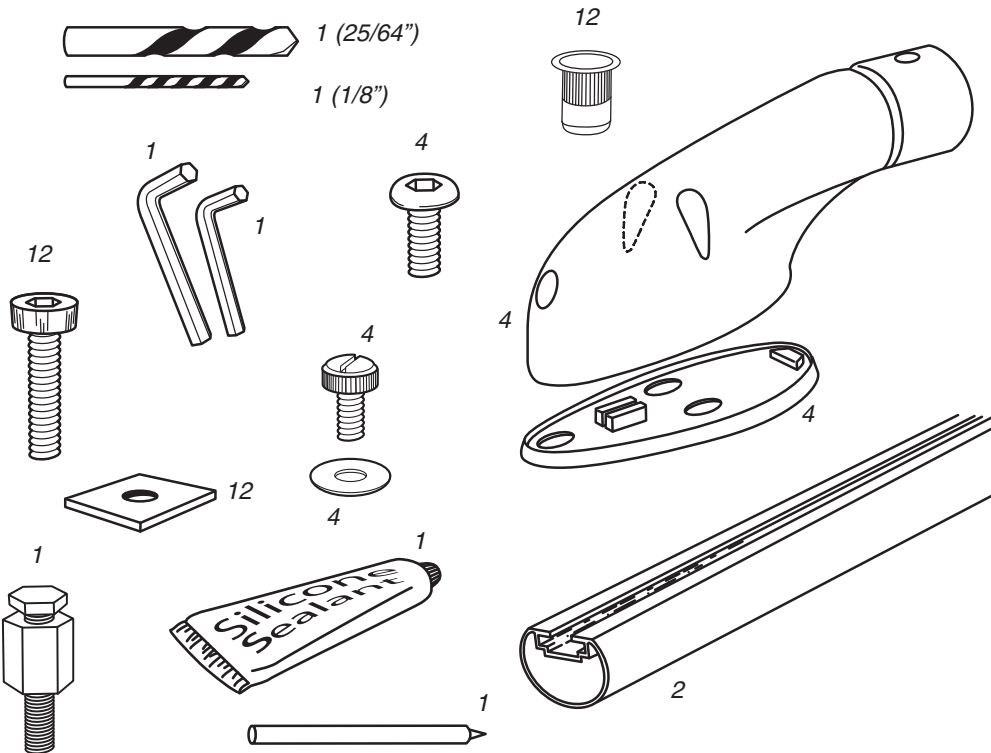
- Read the Installations Instructions thoroughly prior to installation or use of the MAGGIE RACK. The user must pay attention to the company's cautions.
- The Installation Instructions are provided for the user's safety and protection. Top Line Manufacturing is not responsible for the attachment of the MAGGIE RACK to the user's vehicle. Installation is beyond the manufacturer's control.
- Although the MAGGIE RACK is simple and efficient in its design, it remains the responsibility of the user to exercise good judgment regarding their own personal safety and the safety of those around them at all times.

Contents in Carton 1 of 2:

- MOUNTING PODS: 4
- POD GASKETS: 4
- Hardware Pack Containing:**
- POD BOLTS (1/4"-20 x 1-1/4") 12
- RAIL BOLTS (6mm x 14mm) 4
- THREADED INSERTS 12
- SQUARE NUTS 12
- GASKETS 4
- SILICONE SEALANT TUBE 1
- NYLON THUMBSCREW 4
- NYLON WASHER 4
- CENTER PUNCH 1
- DRILL BIT (25/64") 1
- DRILL BIT (1/8") 1
- ALLEN WRENCH (3/16") 1
- ALLEN WRENCH (5/32") 1
- THREADED INSERT EXPANDER TOOL 1

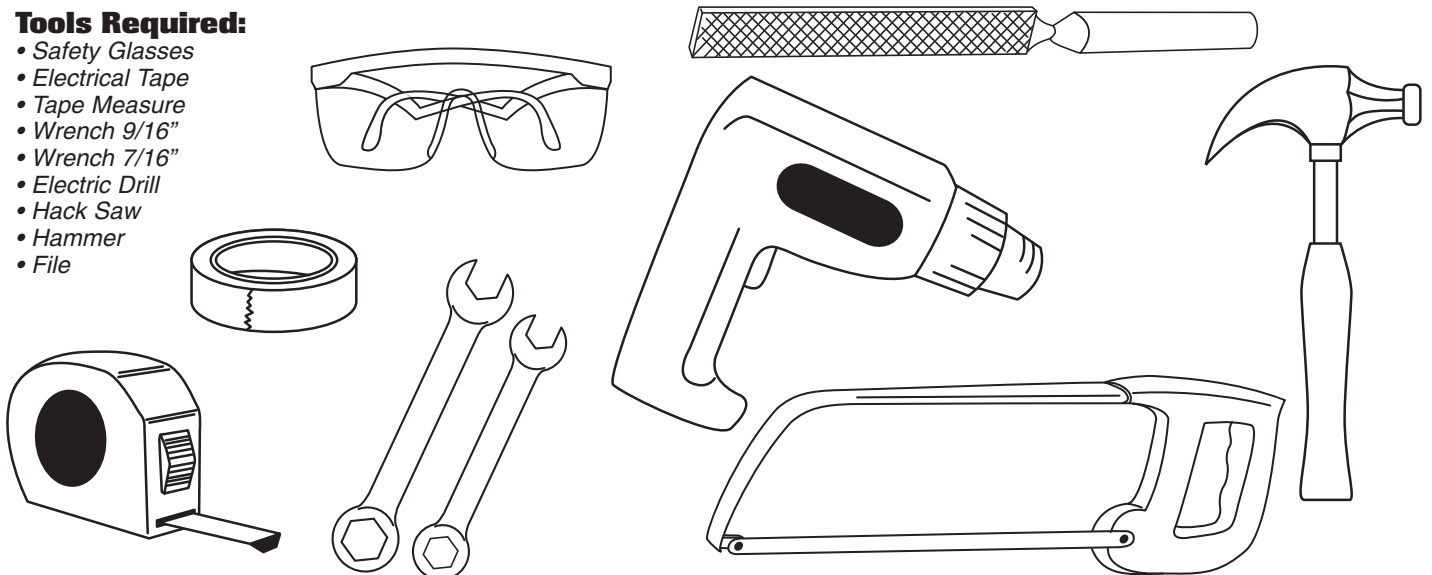
Contents in Carton 2 of 2:

- 48" RAILS 2



Tools Required:

- Safety Glasses
- Electrical Tape
- Tape Measure
- Wrench 9/16"
- Wrench 7/16"
- Electric Drill
- Hack Saw
- Hammer
- File

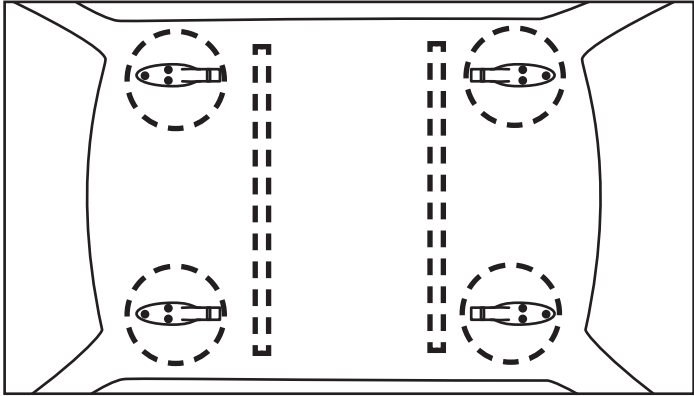


READ THE FOLLOWING PRIOR TO INSTALLATION

Measuring and Placement of Pods

CAUTION:
Before you start, check with your **DEALER, LOCAL INSTALLER, or VEHICLE MANUFACTURER** for placement of cross beams in the roof of your vehicle.

DO NOT MOUNT POD ASSEMBLIES ON TOP OF CROSS BEAMS.



Step 1 Position PODS no closer than 3" from the front and back windows with the Top Line label on the outside

A side-view diagram of a vehicle roof showing four mounting pods. Two vertical lines are drawn from the front and back windows to the pods, with arrows and the text "3" indicating the required distance.

Step 2 SUGGESTION: For optimal appearance, we suggest that you have a 1" minimum clearance at the center of the RAIL. If the clearance is less than 1" try moving the PODS closer together.

1" minimum clearance.

A side-view diagram of a vehicle with a rail installed on the roof. An arrow points to the center of the rail with the text "1" minimum clearance."

Step 3 Measure between MOUNTING PODS. Add 3" to that measure for inserting RAIL into MOUNTING POD.

Measure ___" + 3" = Final length

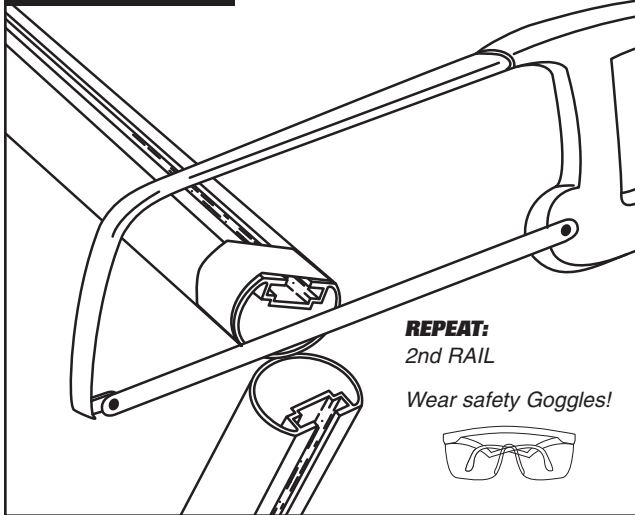
A side-view diagram of a vehicle with a rail on the roof. A double-headed arrow spans the distance between the two mounting pods. Above the arrow, the text reads "Measure ___" + 3" = Final length".

Step 4 Mark RAIL with measure from Step 3 and wrap tape around RAIL at mark.

A close-up diagram of a rail. A double-headed arrow indicates a measurement on the rail. Next to it is a roll of tape, with an arrow pointing to the rail, indicating where to wrap the tape.

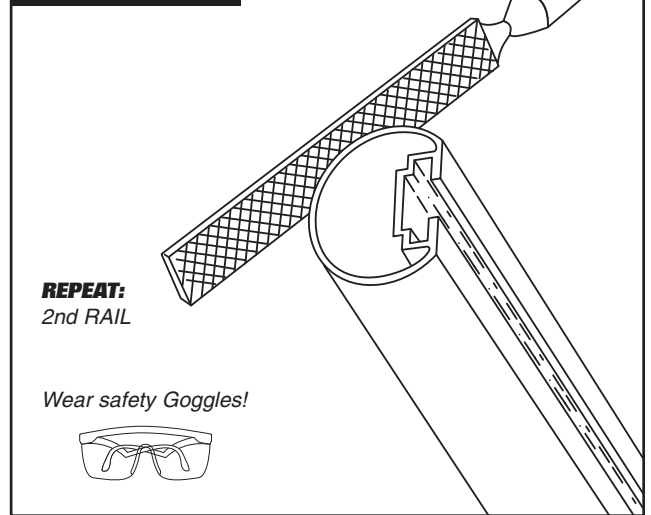
Step 5

Cut RAIL with hack saw on your mark.



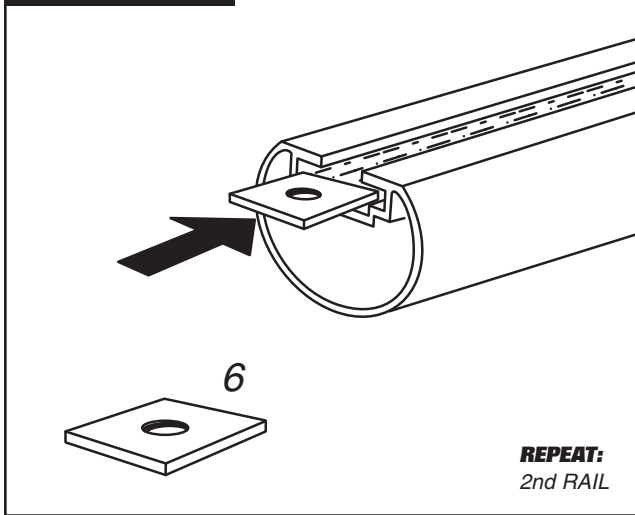
Step 6

File down any burrs from cut RAIL ends.



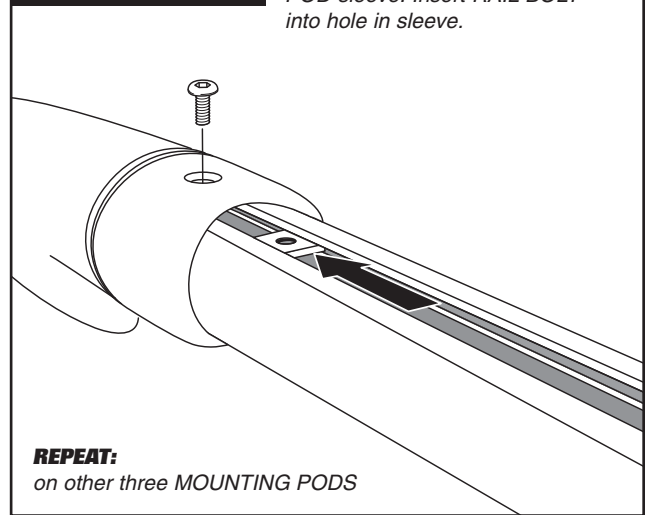
Step 7

Insert 6 SQUARE NUTS per RAIL and reassemble rack.



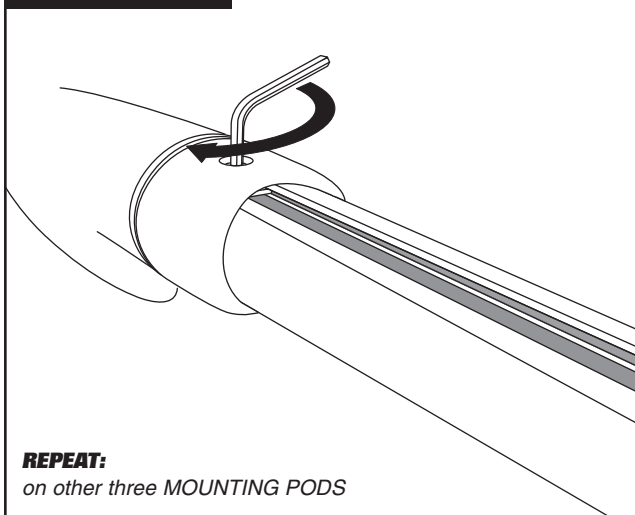
Step 8

Slide one SQUARE NUT down RAIL Groove under MOUNTING POD sleeve. Insert RAIL BOLT into hole in sleeve.



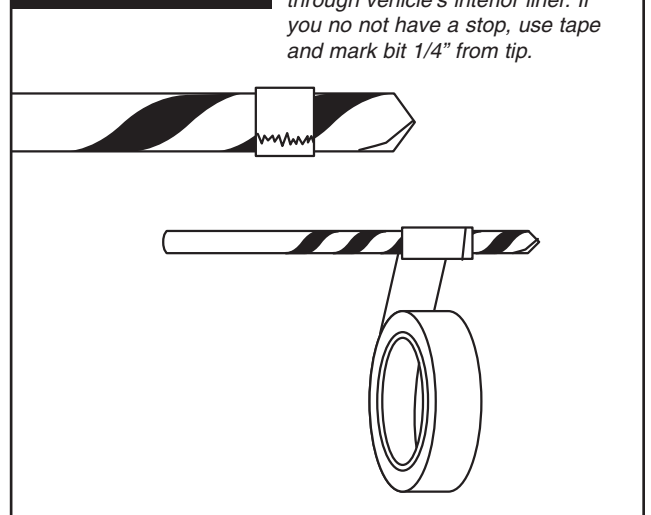
Step 9

Tighten RAIL BOLT with 5/32" allen wrench



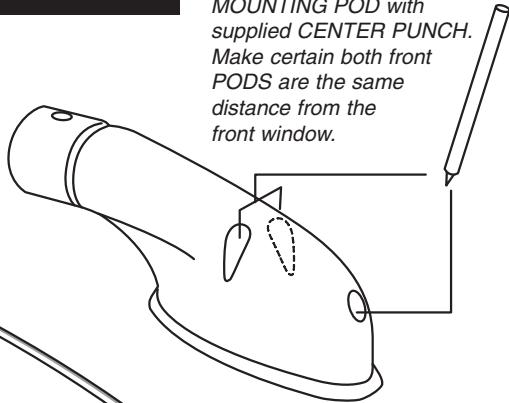
Step 10

DO NOT DRILL DEEPER THAN 1/4". Use a stop to prevent drilling through vehicle's interior liner. If you do not have a stop, use tape and mark bit 1/4" from tip.



Step 11

On front of roof, center punch all three holes thru MOUNTING POD with supplied CENTER PUNCH. Make certain both front PODS are the same distance from the front window.



REPEAT:
on other front side

Step 12

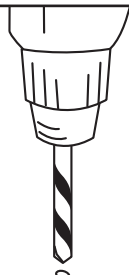
Drill 1/8" pilot hole where you center punched in Step 8.



REPEAT:
on other front side

Step 13

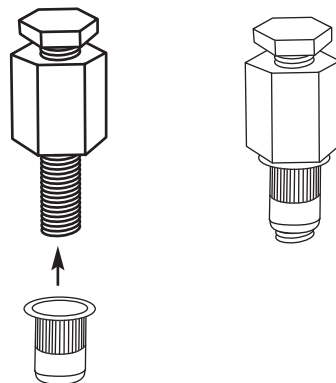
Drill 25/64" hole where you drilled pilot holes in Step 12.



REPEAT:
on other front side

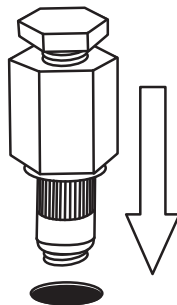
Step 14

Attach THREADED INSERT to THREADED INSERT EXPANDER TOOL



Step 15

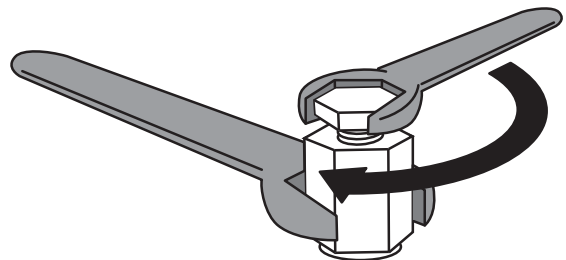
Insert into holes drilled in Step 11.



REPEAT:
on other front side

Step 16

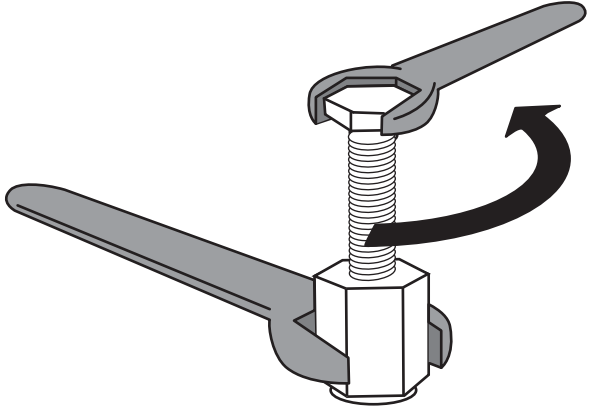
Tighten top nut on tool using a 7/16" wrench and a 9/16" wrench to hold base. Turn clockwise until tight.



REPEAT:
on other front side

Step 17

Loosen top nut on tool until it is free of **THREADED INSERT**. Complete steps 14 thru 17 for other two holes.



REPEAT:
on other front side

Step 18

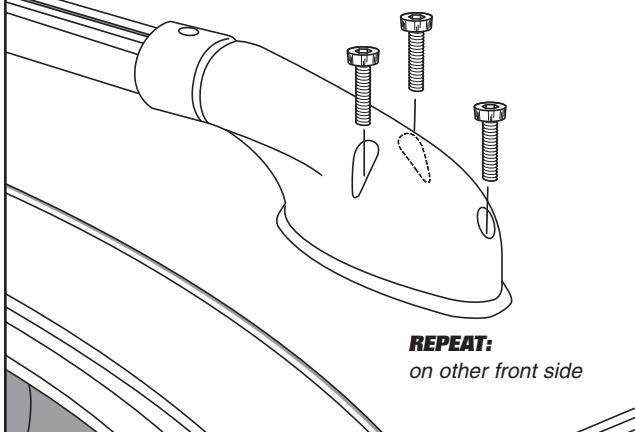
Fill each hole with **SILICONE SEALANT**.



REPEAT:
on other front side

Step 19

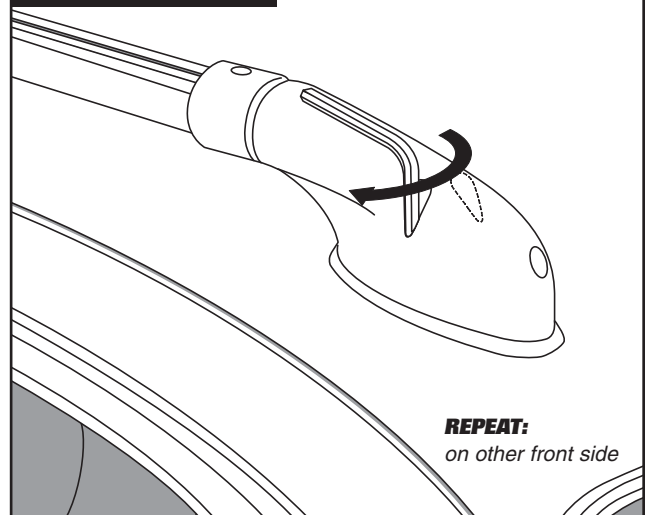
Align **MOUNTING PODS**, assembled with **POD GASKETS** with holes; insert **POD BOLTS** into **MOUNTING POD** and align **POD BOLTS** to **THREADED INSERTS** installed in holes.



REPEAT:
on other front side

Step 20

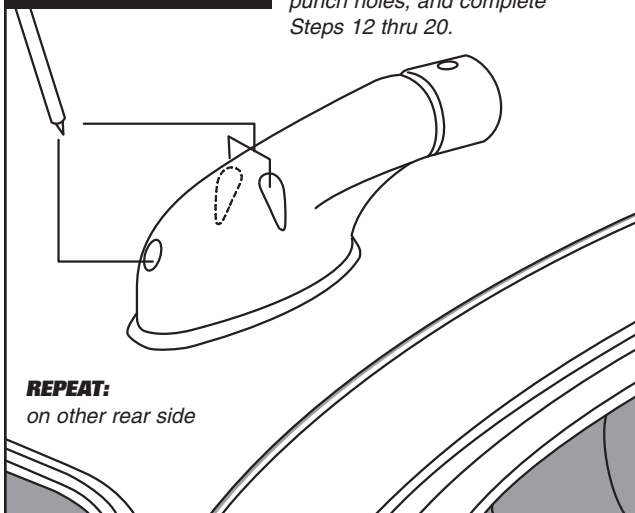
Tighten all three **POD BOLTS** into **THREADED INSERTS**.



REPEAT:
on other front side

Step 21

On rear of roof complete Step 11, push **RAILS** away from center punch holes, and complete Steps 12 thru 20.



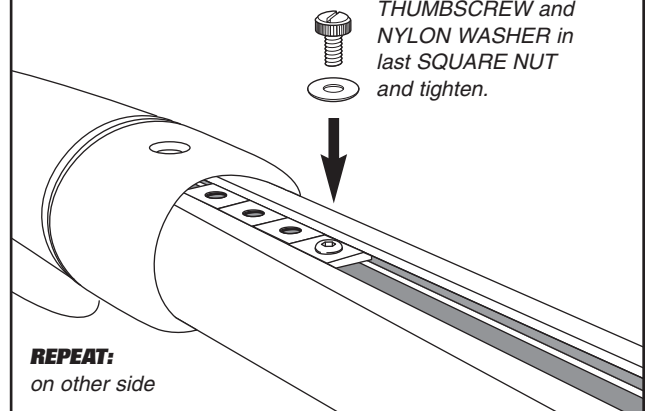
REPEAT:
on other rear side

Step 22

Twist **RAIL** so that the flat side is parallel to the ground.

SUGGESTION:

To keep **SQUARE NUTS** from sliding when riding without towers installed, insert **NYLON THUMBSCREW** and **NYLON WASHER** in last **SQUARE NUT** and tighten.



REPEAT:
on other side

Congratulations!

You have successfully installed the MAGGIE RACK SYSTEM.

Now you can install your towers and mount your accessories (not included).



FOR MORE INFORMATION PLEASE CONTACT US:

TOP LINE MANUFACTURING, INC.

7032 Alondra Blvd., Paramount, CA 90723

Phone: (800) 653-0605 Fax: (562) 633-6550

E-mail- info@toplinemfg.com

Web: www.toplinemfg.com