



7032 Alondra Boulevard • Paramount, California 90723
P.O. Box 739 • (310) 633-0605

ROOF RACK INSTRUCTION SHEET

1. Remove backing from pressure sensitive adhesive on neoprene gasket and press onto bracket.
2. Assemble rack on the ground and partially tighten set screws in brackets. Brackets should straddle tubing joints, as shown in Figure 2.
3. Place rack on van and square it up.
4. Insert plastic bushings in each screw hole, and attach rack to roof with slotted Hex Head Self-Tapping Screws supplied with rack. (See Figure 1) If Hex Head Driver is not available, mark and pre-drill roof with 1/8" diameter holes and assemble screws with screw driver.
5. Tighten all screws in brackets.

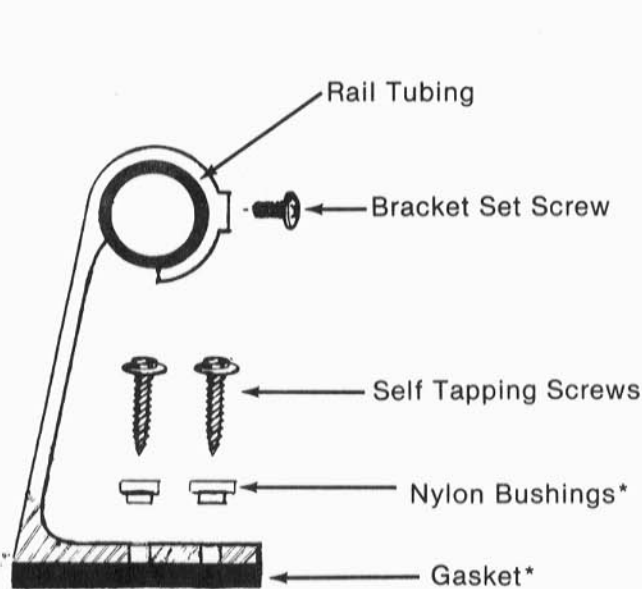


Figure 1 — Bracket Mounting Detail

*These parts are necessary for a secure installation and to insulate rack from roof. Rack can be used as a TV and FM Antenna by using the TV1000 or TV2000 Antenna Kit.

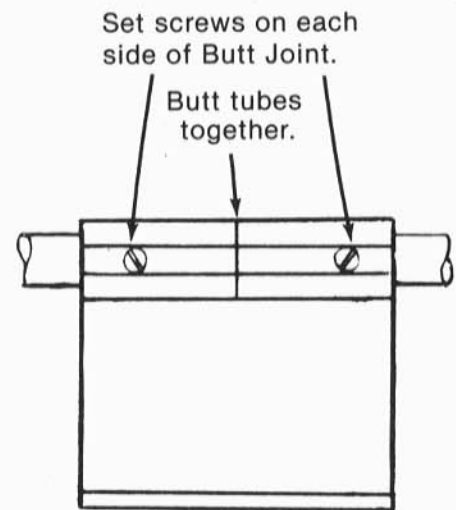


Figure 2 — Inside View of Brackets

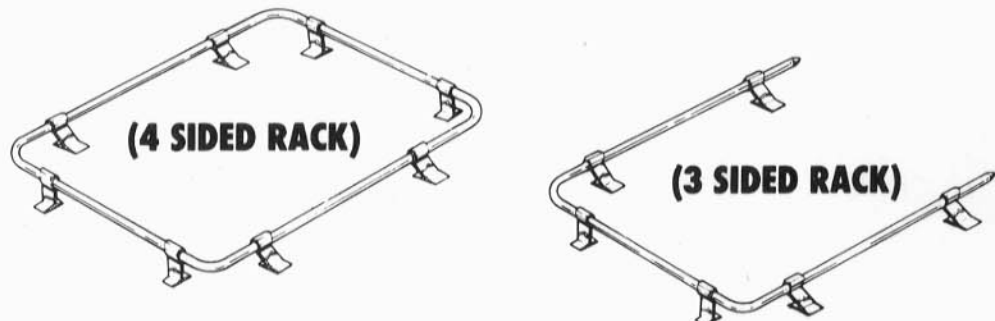


Figure 3 — Assembled Racks

Depending on the rack model, there are either 2 or 3 side brackets per side.