

Installation Instructions

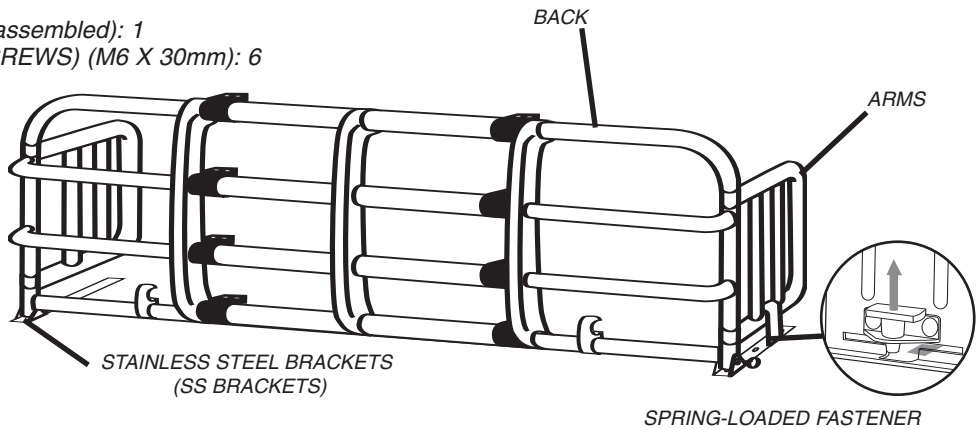
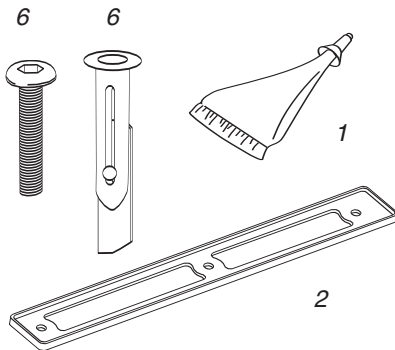
Checklist:

- Read the Installations Instructions thoroughly prior to installation or use of the FOLD DOWN BED EXPANDER.
- The Installation Instructions are provided for the user's safety and protection. Top Line Manufacturing is not responsible for the attachment of the FOLD DOWN BED EXPANDER to the user's truck. Installation is beyond the manufacturer's control.

- Although the FOLD DOWN BED EXPANDER is simple and efficient in its design, it remains the responsibility of the user to exercise good judgment regarding their own personal safety and the safety of those around them at all times.

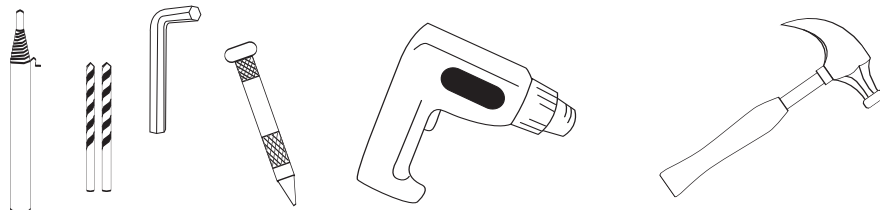
Kit Contents:

- FOLD DOWN BED EXPANDER (fully assembled): 1
- STAINLESS STEEL SCREWS (SS SCREWS) (M6 X 30mm): 6
- TURN NUTS (M6): 6
- GASKETS: 2
- LOCTITE THREAD LOCK: (1) tube



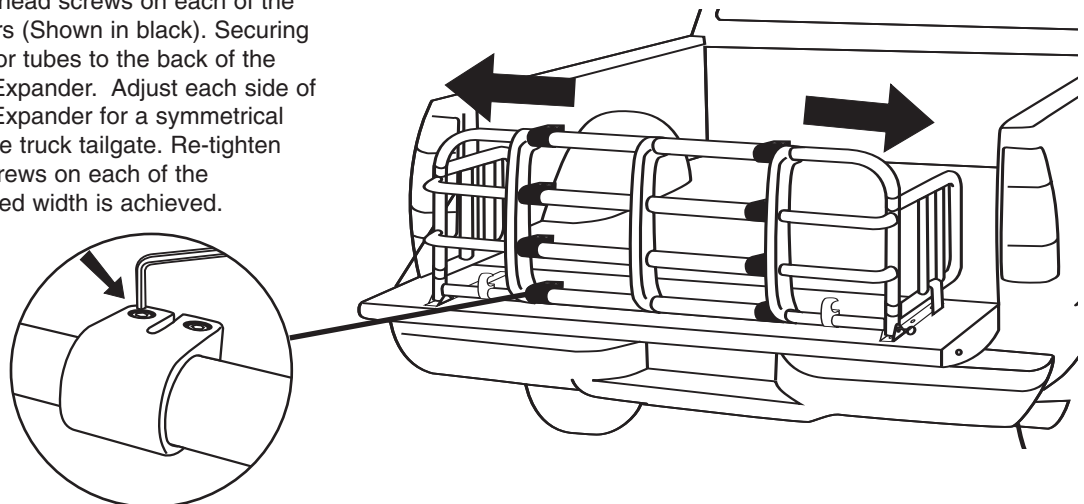
Tools Required:

- Grease Pencil
- Electric Drill
- Allen Wrench: 5/32" (or 4mm)
- Center Punch
- Hammer
- Drill Bits



READ THE FOLLOWING PRIOR TO INSTALLATION

Loosen the outside socket head screws on each of the eight black nylon connectors (Shown in black). Securing the four aluminum connector tubes to the back of the Universal Fold Down Bed Expander. Adjust each side of Universal Fold Down Bed Expander for a symmetrical custom fit to the width of the truck tailgate. Re-tighten the outside socket head screws on each of the connectors, when the desired width is achieved.



READ THE FOLLOWING PRIOR TO INSTALLATION

TRUCKS WITH TAILGATE COVER

- Open the ARMS of the UNIVERSAL FOLD DOWN BED EXPANDER, place it on the lowered tailgate and center it (as pictured in *fig. A*).
- If tailgate cover is flat, skip steps below and go to **READ BEFORE DRILLING**. (see *fig.#1*)
- If tailgate cover is sprayed on, skip steps below and go to **TRUCKS WITHOUT TAILGATE COVER**.
- Tailgate cover must have a flat surface where both ends of the SS BRACKET make contact with it. These surfaces must be on the same plane.
- Release SPRING LOADED FASTENER and Rotate ARMS fully until they contact the back.
- If ARMS are able to rotate fully, go to **READ BEFORE DRILLING**
- If ARMS cannot rotate fully, you must remove tailgate cover before proceeding. (see *fig.#2*)
- After removing tailgate cover, follow steps below in **TRUCKS WITHOUT TAILGATE COVER**.

Fig. A

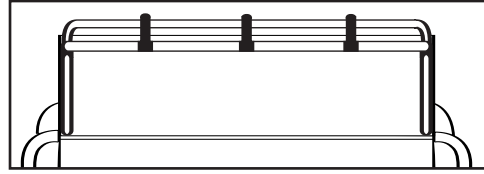
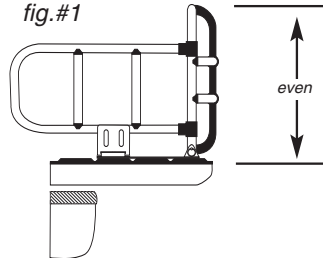
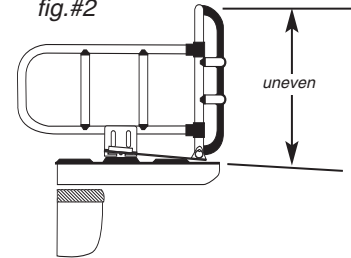


fig.#1



If tailgate cover is even as shown and arms fully rotate to snap in place with the bracket, continue to **READ BEFORE DRILLING**.

fig.#2

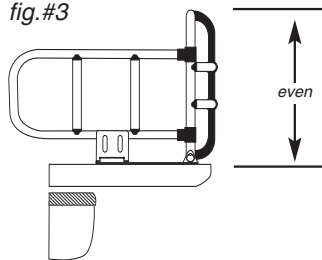


If tailgate cover is uneven as shown and arms cannot rotate fully, cover must be removed before proceeding.

TRUCKS WITHOUT TAILGATE COVER

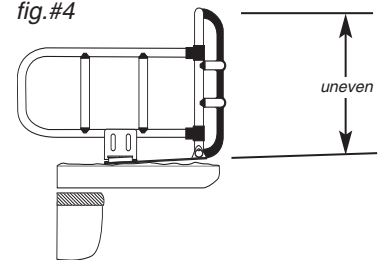
- Open the ARMS of the UNIVERSAL FOLD DOWN BED EXPANDER, place it on the lowered tailgate and center it (as pictured in *fig. A*).
- Tailgate must have a flat surface where both ends of the SS BRACKET make contact with it. These surfaces must be on the same plane.
- Release SPRING LOADED FASTENER and Rotate ARMS fully until they contact the back.
- If ARMS are able to rotate fully, go to **READ BEFORE DRILLING**. (see *fig.#3*)
- If ARMS cannot rotate, this product cannot be used on your truck. (see *fig.#4*)

fig.#3



If Fold Down Bed Expander is even and the arms fully rotate to snap in place with the bracket, continue to **READ BEFORE DRILLING**.

fig.#4



If the Fold Down Bed Expander is still uneven after the removal of the cover from the tailgate, the product cannot be used on your truck.

CAUTION

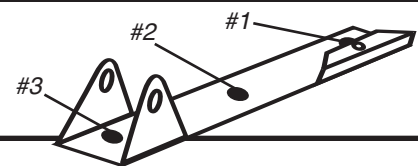
READ BEFORE DRILLING

NOTE: Ford F150 full size trucks have tailgates with two holes on each side. If you remove the screws from these holes, you may use these holes as holes #2 and #3, as explained below.

NOTE: The tailgates of mid-size and compact trucks DO NOT need hole #2.

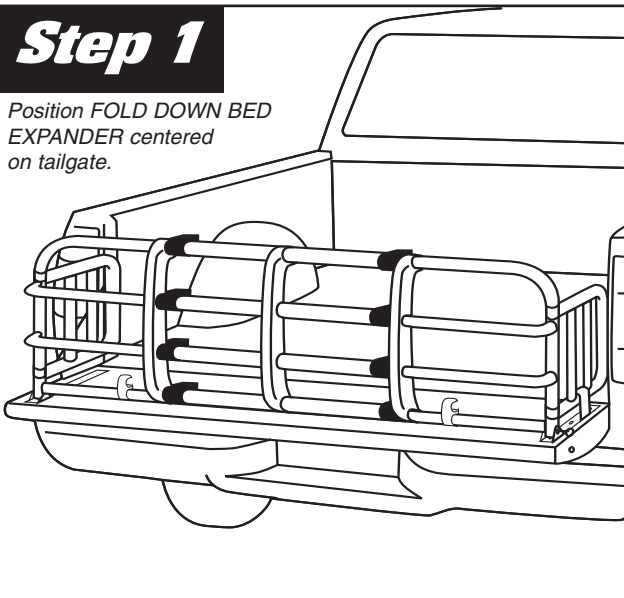
STAINLESS STEEL BRACKET

Use SS BRACKET holes as guides, as shown here with its designated number.



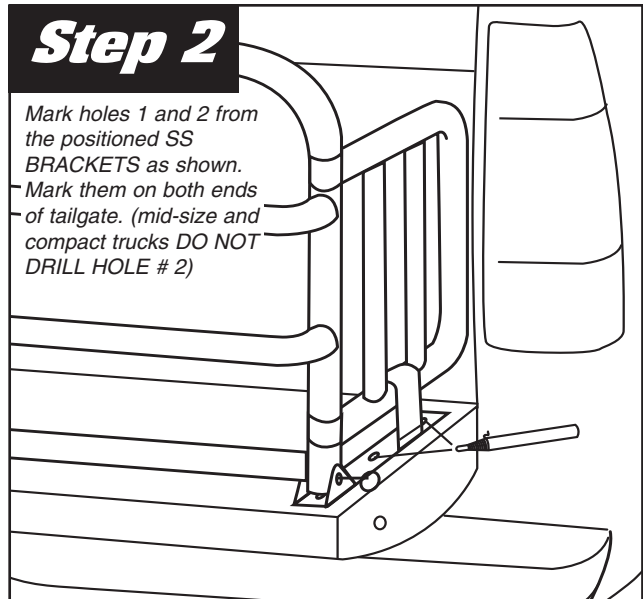
Step 1

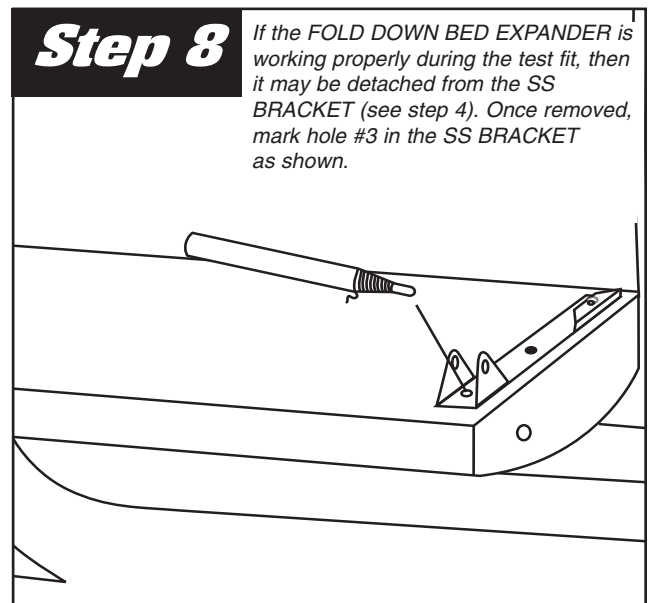
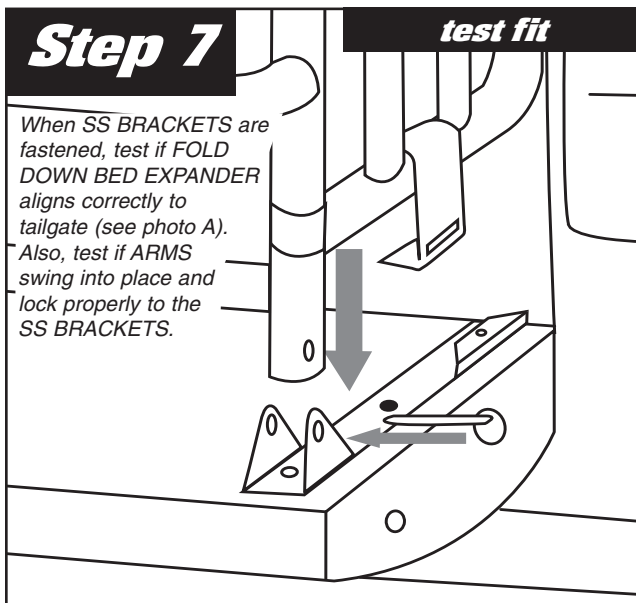
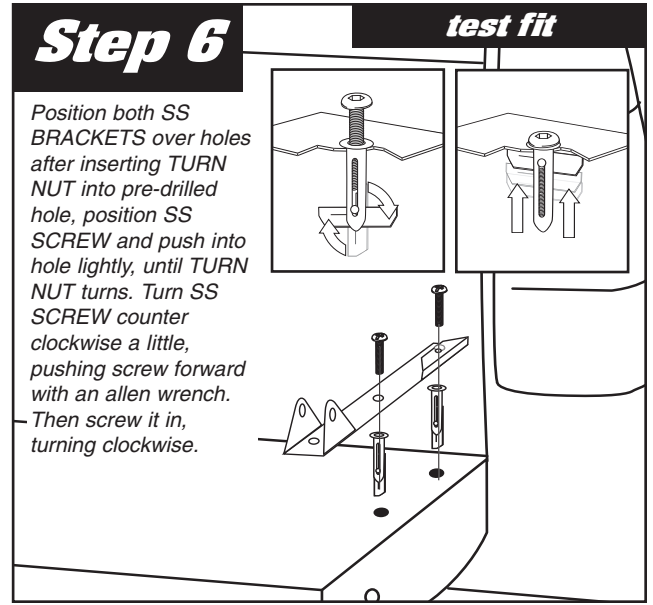
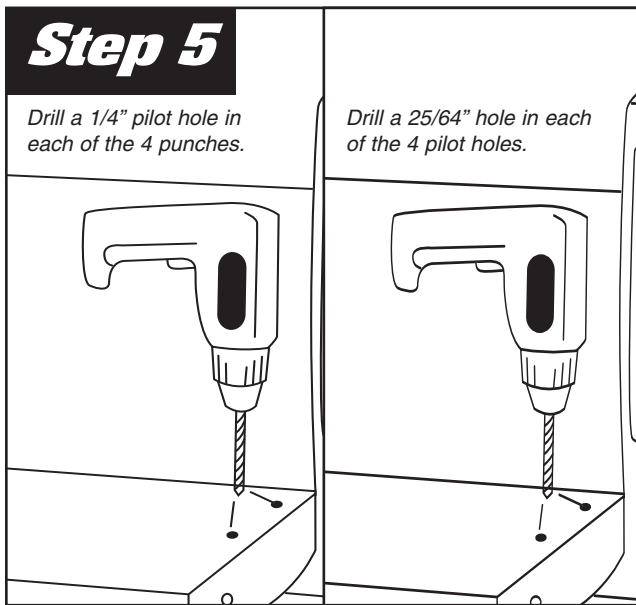
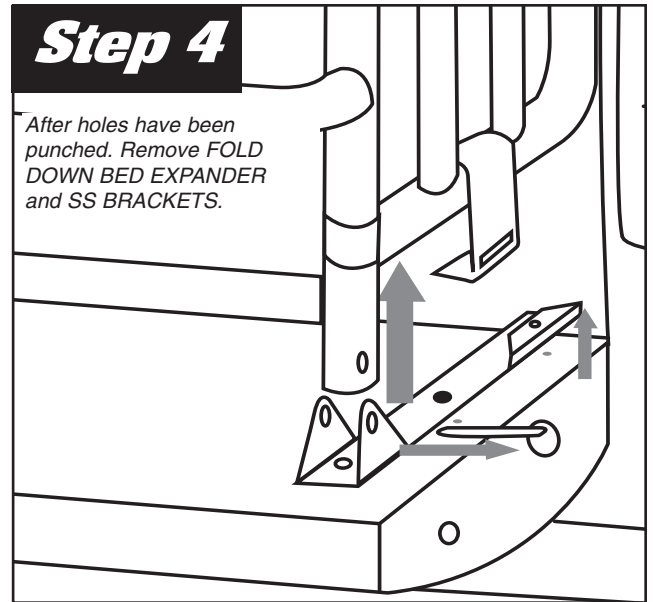
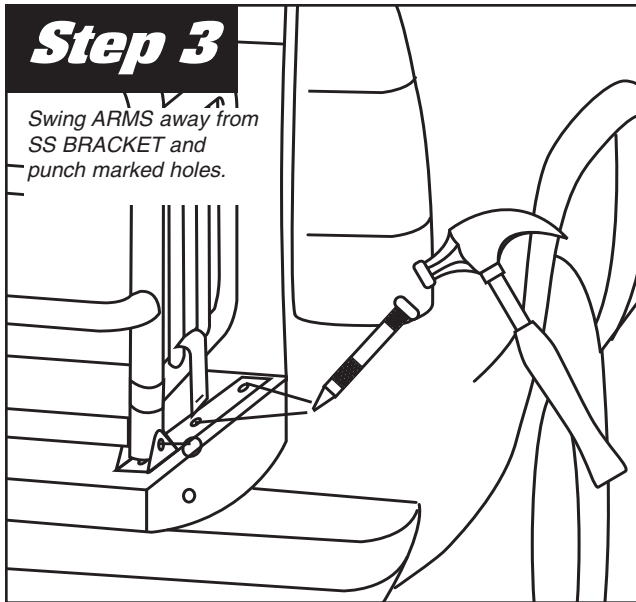
Position FOLD DOWN BED EXPANDER centered on tailgate.



Step 2

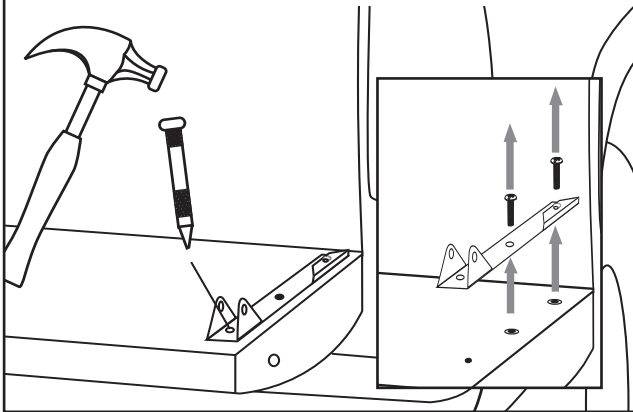
Mark holes 1 and 2 from the positioned SS BRACKETS as shown. Mark them on both ends of tailgate. (mid-size and compact trucks DO NOT DRILL HOLE # 2)





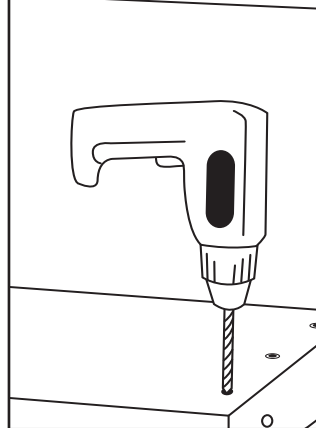
Step 9

Punch marked holes on both ends of tailgate. Once the holes have been punched remove SS BRACKETS from tailgate. Leave other TURN NUTS in place.

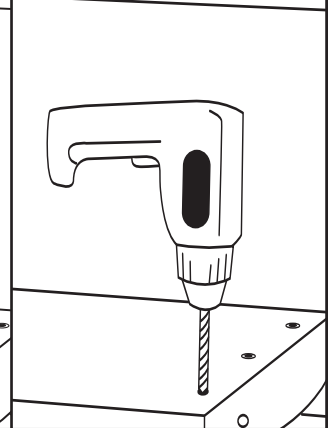


Step 10

Drill a 1/4" pilot hole in each of the 2 punches.



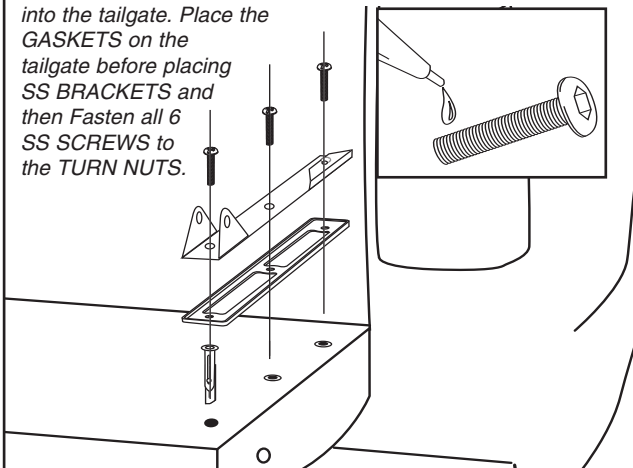
Drill a 25/64" hole in each of the 2 pilot holes.



Step 11

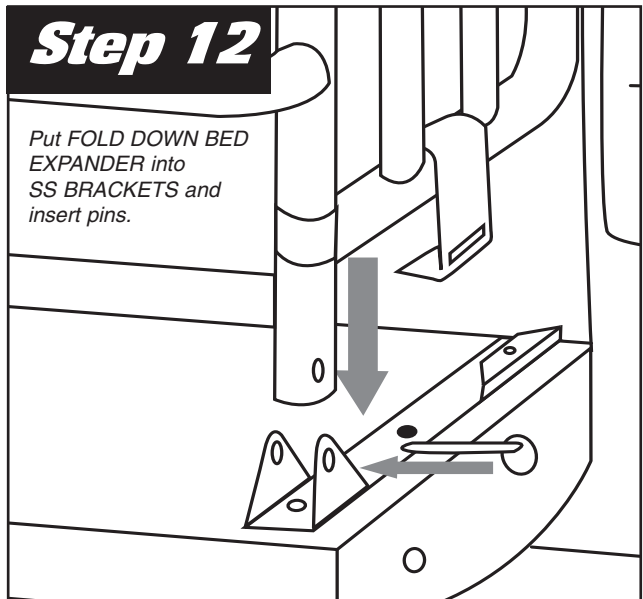
NOTE: Add thread LOCK DROPS on SS SCREWS when finally fastening SS BRACKETS to tailgate.

Place the final TURN NUT into the tailgate. Place the GASKETS on the tailgate before placing SS BRACKETS and then Fasten all 6 SS SCREWS to the TURN NUTS.



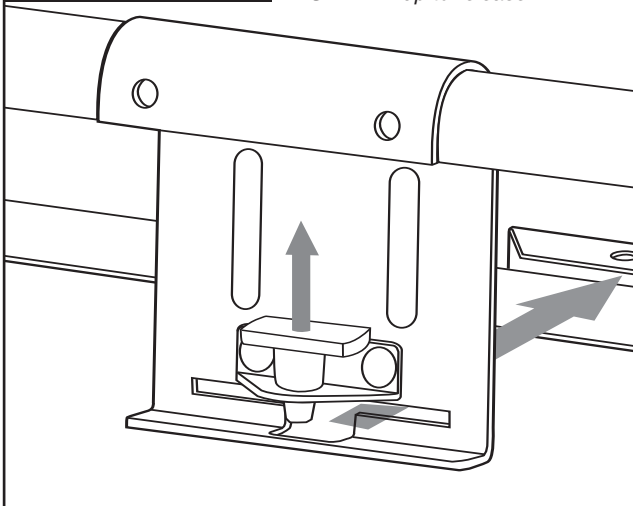
Step 12

Put FOLD DOWN BED EXPANDER into SS BRACKETS and insert pins.



Step 13

Snap ARMS into position. To unlock arms, pull SPRING LOADED FASTENER up to release.



Topline

FOR MORE INFORMATION PLEASE CONTACT US:

TOP LINE MANUFACTURING, INC.

7032 Alondra Blvd., Paramount, CA 90723

Phone: (800) 653-0605 Fax: (562) 633-6550

E-mail- info@toplinemfg.com

Web: www.toplinemfg.com